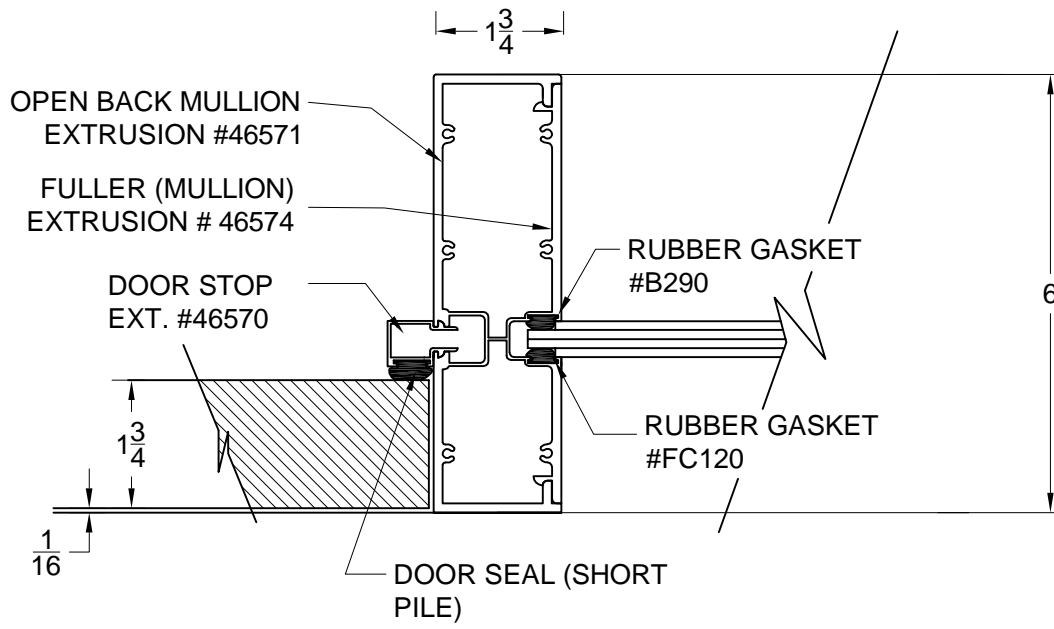


1 — TYP DOOR JAMB @ WALL



2 — TYP DOOR JAMB @ SIDELIGHT

NOTES:

- ALLOW 1/4" CLEARANCE AT WALLS FOR SHIMMING (WALL CONDITIONS VARY)
- TYP. FINISH - CLEAR ANODIZED.
- TYP. GLASS SIZE = DAYLIGHT OPENING SIZE PLUS 5/8" AT HEIGHT AND WIDTH

CSI - SERIES 100
- INTERIOR ALUMINIUM PARTITION FRAMING

SCALE	3/8 = 1'-0"	CONDOOR SERVICES INC.	
DRWN BY	A.G	COQUITLAM	
DATE	Nov. 23/09	TYP.DETAILS - ALUM.	DA1